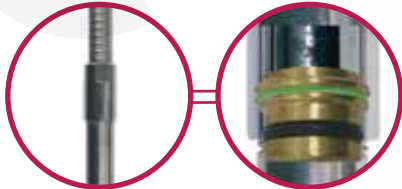


Pre-rinse unit GASTROTOP Premium Line

Pre-rinse unit with back flow restrictor, DVGW approved



100 % watertightness with brass adapter and flat gasket



stainless steel spring

robust stainless steel-strip wound hose

adjustable metal springholder

adjustable metal hand spray holder

adjustable metal wall holder 120mm



professional spray gun



swivel spout with ceramic head






permanently sealed by double O-ring gasket

watertight due to double O-ring-gasket

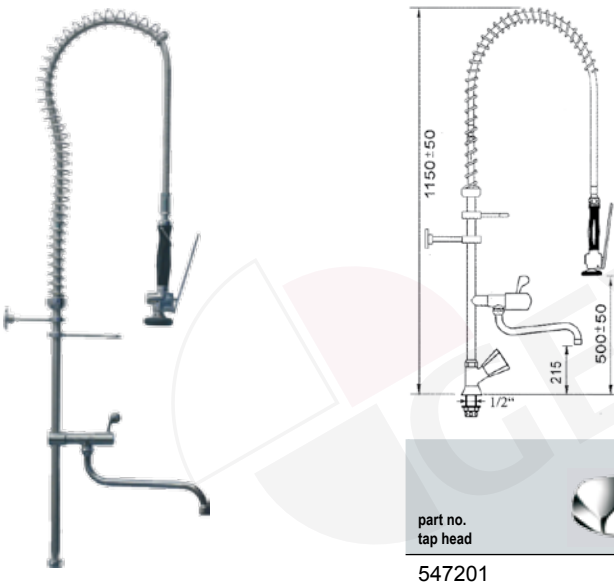
optional standard heads or ceramic heads






pre-rinse unit with pillar tap



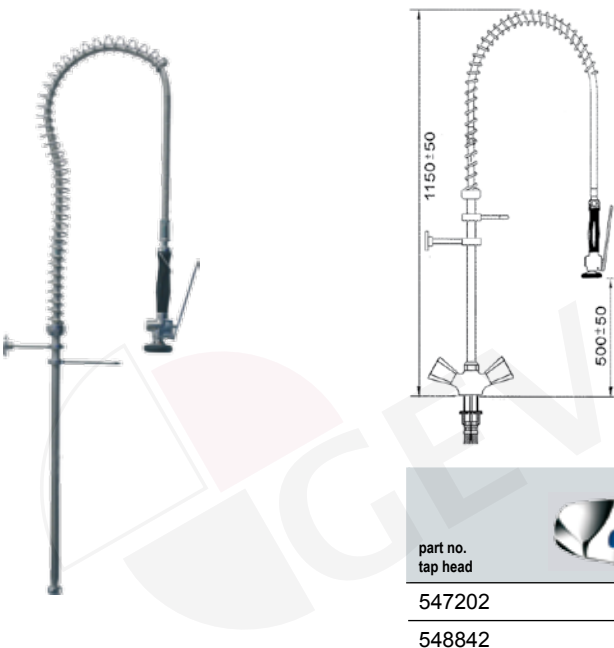
part no. tap head		part no. ceramic tap head	 	part no. ceramic tap head	 
547200		547620		547627	






pre-rinse unit with pillar tap with swivel tap



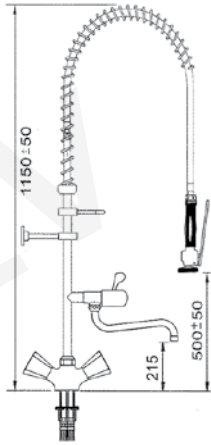
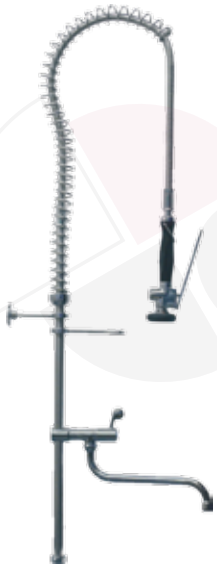
part no. tap head		part no. ceramic tap head	 	part no. ceramic tap head	 
547201		547621		547617	

pre-rinse unit with monobloc tap



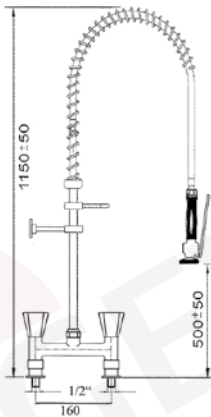
part no. tap head		part no. ceramic tap head	 	part no. ceramic tap head	 	connection
547202		547622		547618		3/8"
548842		548852		547619		1/2"

pre-rinse unit with monobloc tap with swivel tap



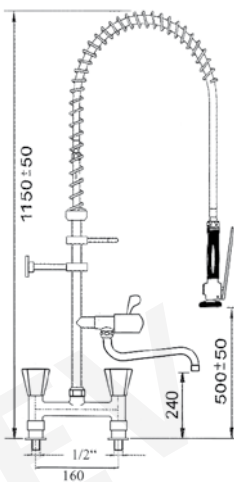
part no. tap head	part no. ceramic tap head	part no. ceramic tap head	connection
547203	547623	547277	3/8"
548843	548853	547278	1/2"

pre-rinse unit with bridge tap



part no. tap head	part no. ceramic tap head	part no. ceramic tap head
547288	547289	547290




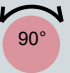

pre-rinse unit with bridge tap with swivel tap



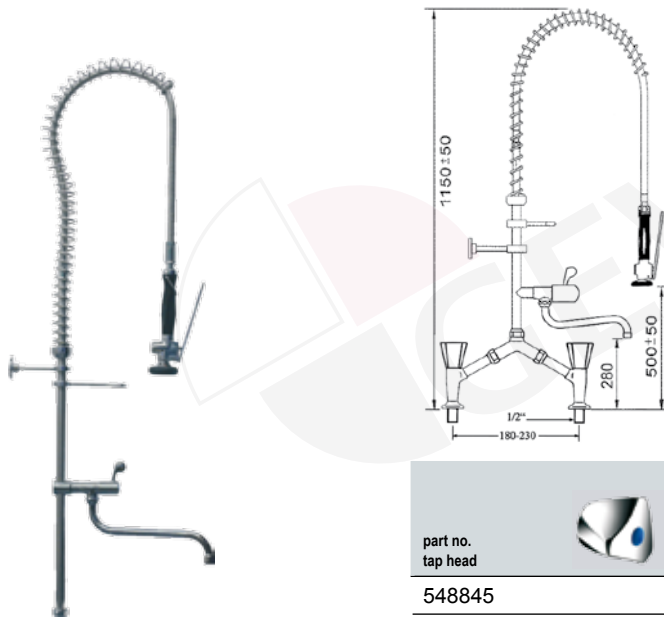
part no. tap head	part no. ceramic tap head	part no. ceramic tap head
547291	547296	547297






pre-rinse unit with bridge tap



<p>part no. tap head</p> 	<p>part no. ceramic tap head</p>  	<p>part no. ceramic tap head</p>  
<p>548844</p>	<p>548854</p>	<p>547279</p>

pre-rinse unit with bridge tap with swivel tap



<p>part no. tap head</p> 	<p>part no. ceramic tap head</p>  	<p>part no. ceramic tap head</p>  
<p>548845</p>	<p>548855</p>	<p>547298</p>

pre-rinse unit with bridge tap

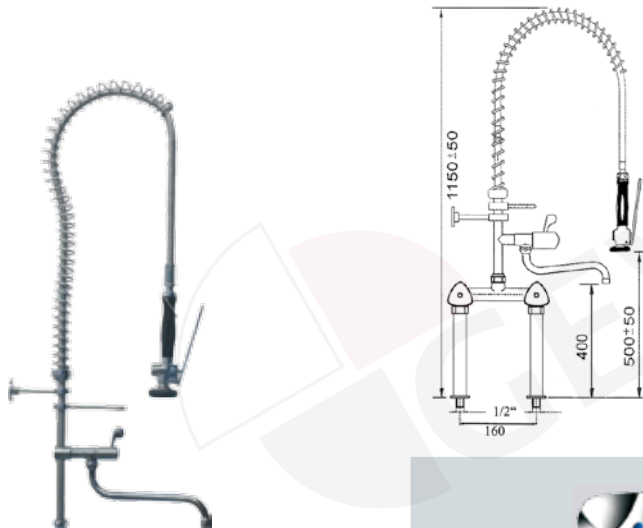


part no.
tap head
547204

part no.
ceramic tap head
547624

part no.
ceramic tap head
547299

pre-rinse unit with bridge tap with swivel tap

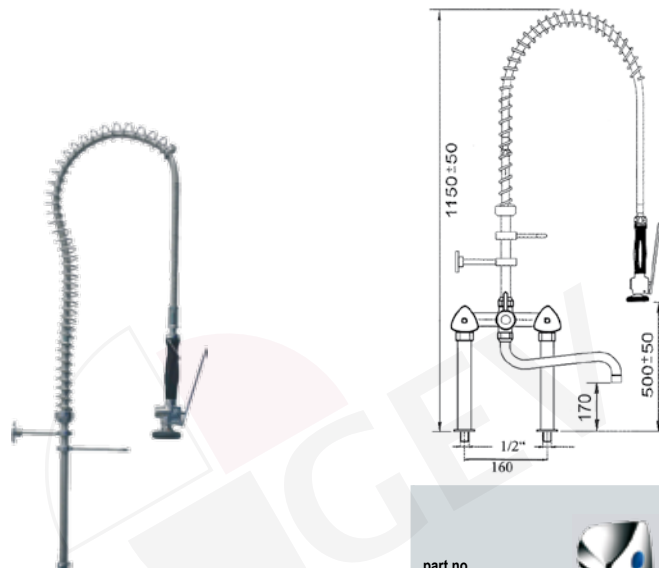


part no.
tap head
547205

part no.
ceramic tap head
547625

part no.
ceramic tap head
547196

pre-rinse unit with bridge tap with swivel tap

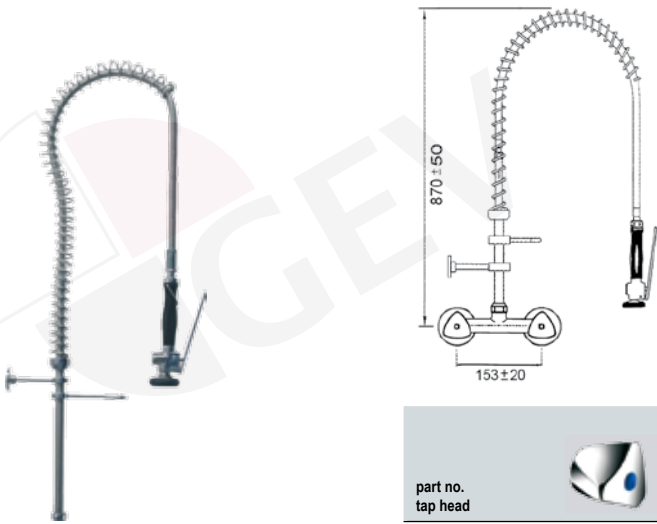


part no.
tap head
547206

part no.
ceramic tap head
547626

part no.
ceramic tap head
547197

pre-rinse unit with wall-mounted water tap



part no.
tap head



547208

part no.
ceramic tap head



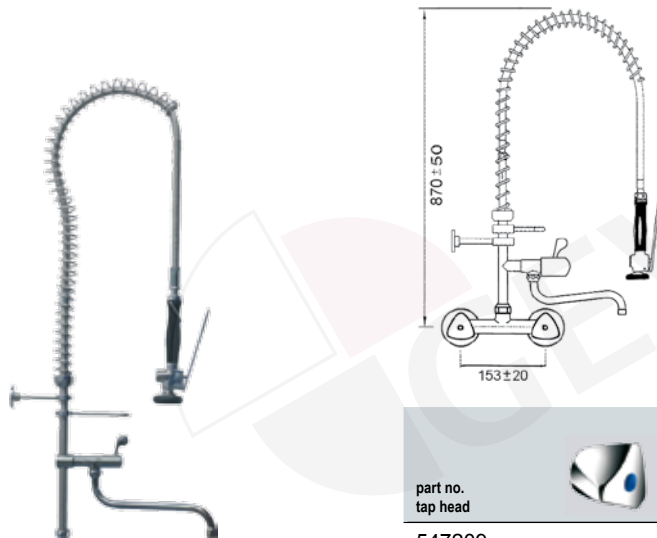
547628

part no.
ceramic tap head



547198

pre-rinse unit with wall-mounted water tap and swivel tap



part no.
tap head



547209

part no.
ceramic tap head



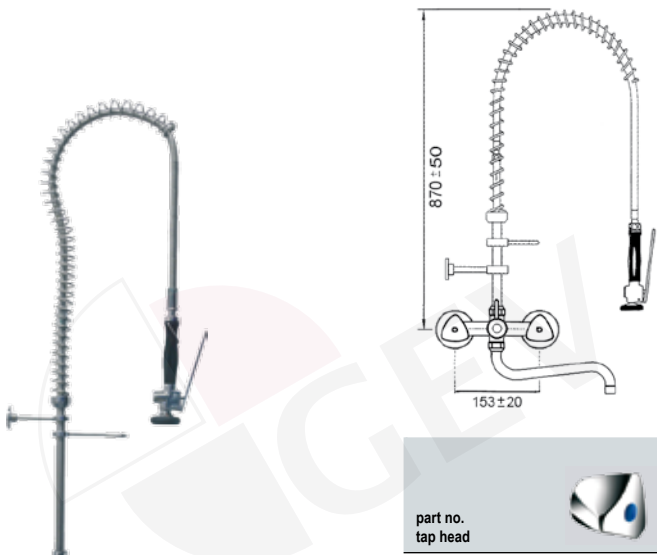
547629

part no.
ceramic tap head



547199

pre-rinse unit with wall-mounted water tap and swivel tap



part no.
tap head



547210

part no.
ceramic tap head



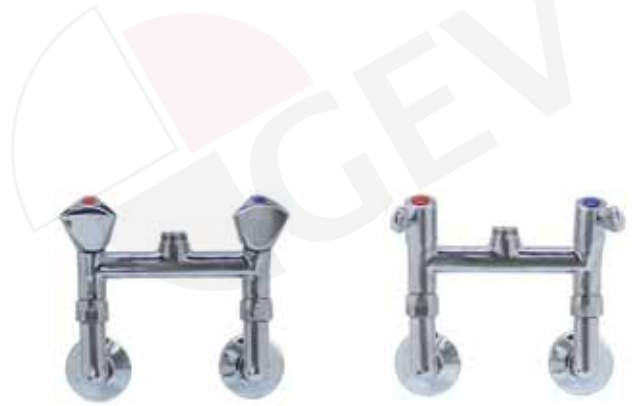
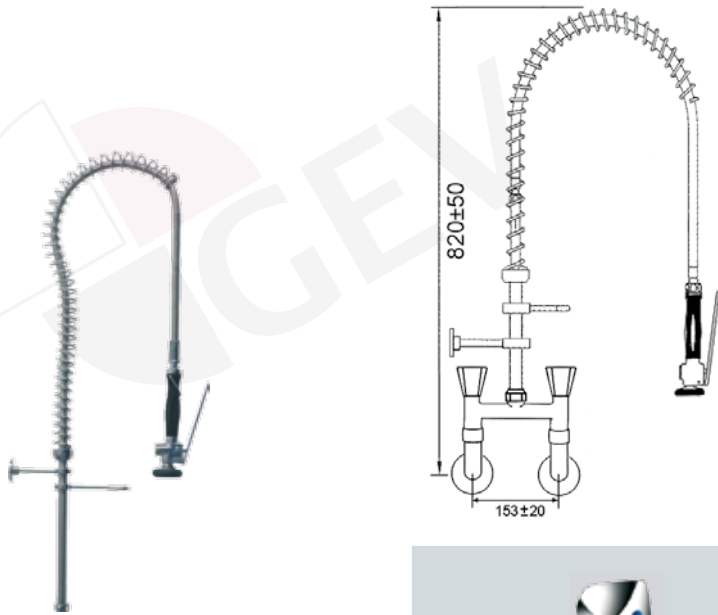
547630

part no.
ceramic tap head



547319

pre-rinse unit with wall-mounted water tap



part no.
tap head



547734

part no.
ceramic tap head



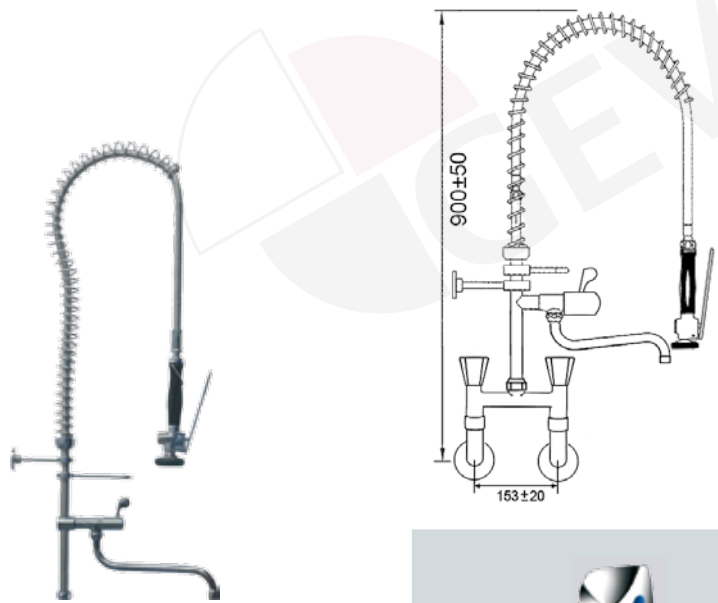
547735

part no.
ceramic tap head



547736

pre-rinse unit with wall-mounted water tap and swivel tap



part no.
tap head



547737

part no.
ceramic tap head



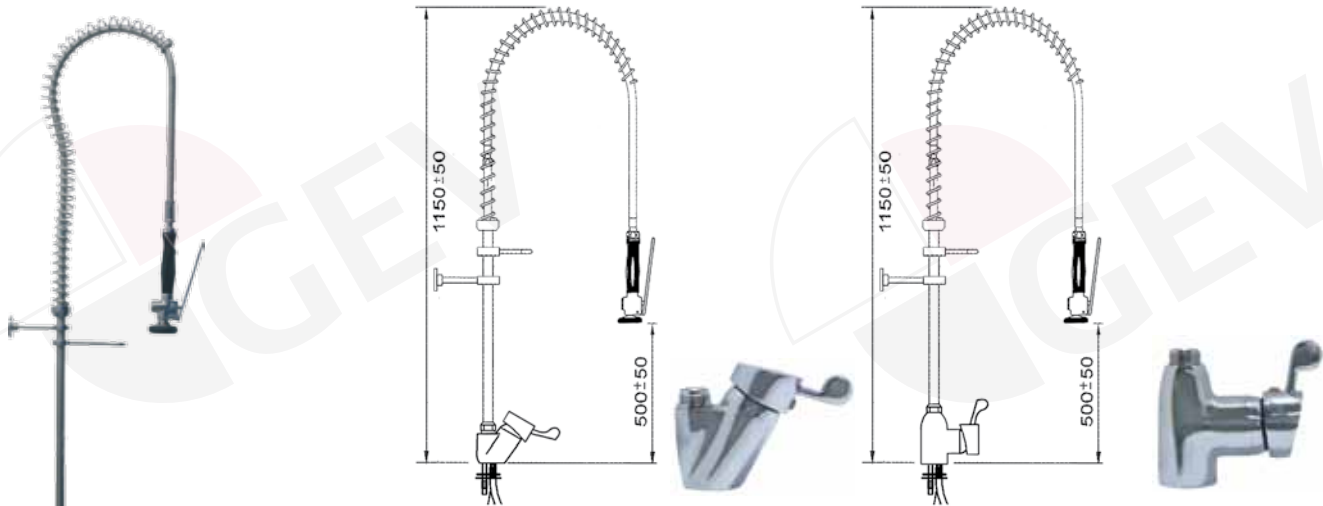
547738

part no.
ceramic tap head



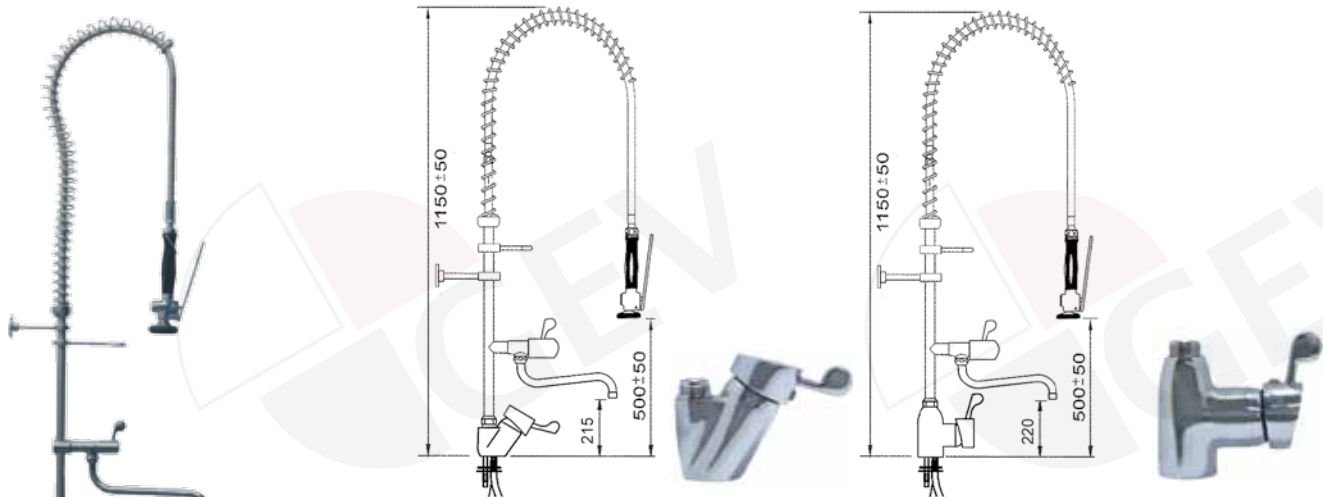
547739

pre-rinse unit with single lever monobloc tap

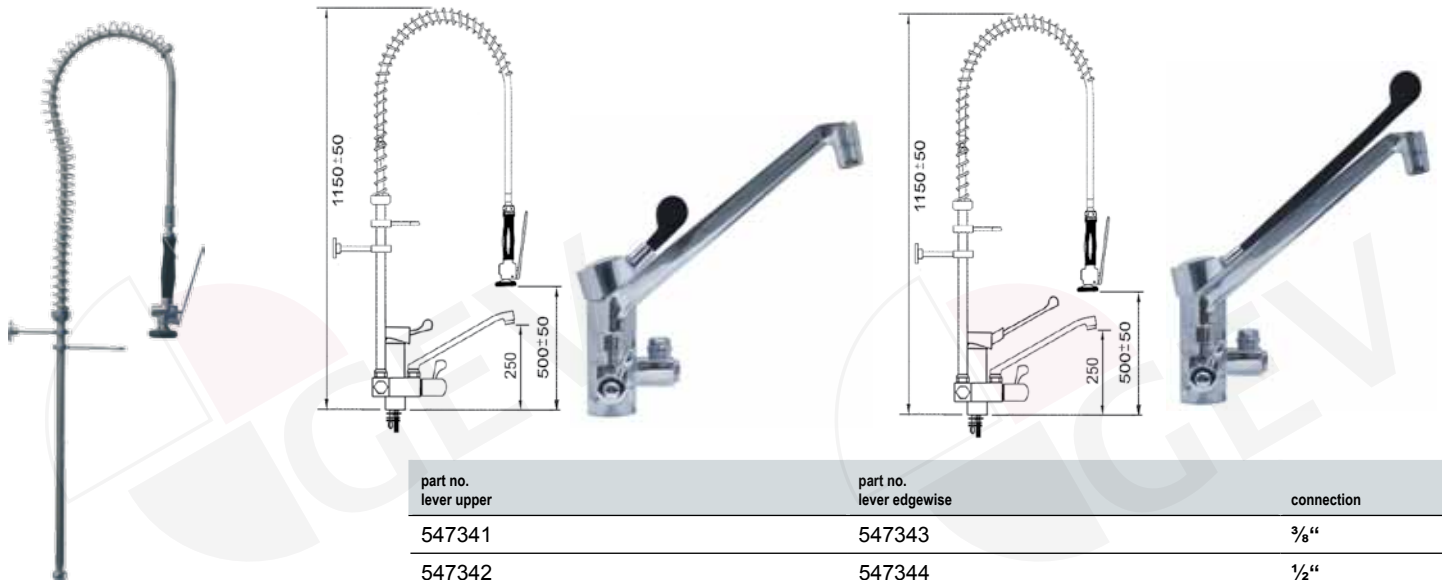


part no. lever upper	part no. lever edgewise	connection
547211	548848	3/8"
548846	548850	1/2"

pre-rinse unit with single lever monobloc tap and swivel tap

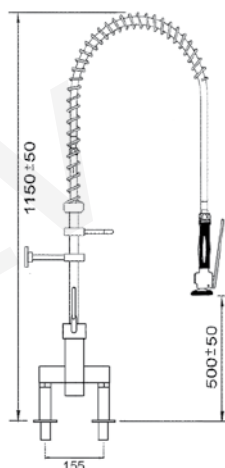


part no. lever top	part no. lever front	connection
547212	548849	3/8"
548847	548851	1/2"



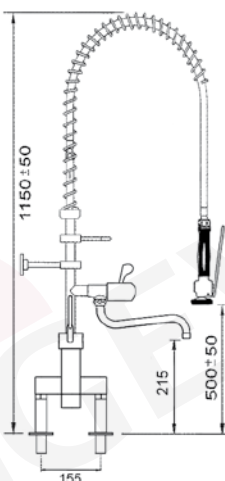
part no. lever upper	part no. lever edgewise	connection
547341	547343	3/8"
547342	547344	1/2"

pre-rinse unit with single lever bridge tap



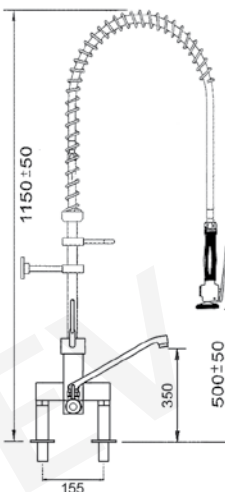
part no.	connection
547345	1/2"
547346	3/8"

pre-rinse unit with single lever bridge tap and swivel tap

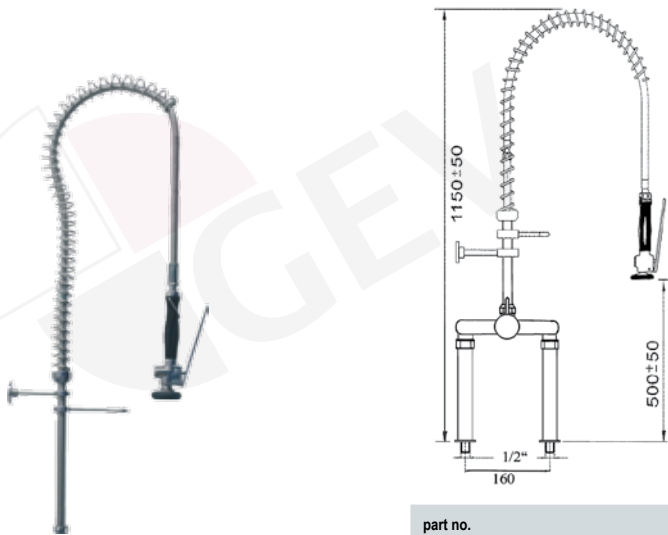


part no.	connection
547347	1/2"
547348	3/4"

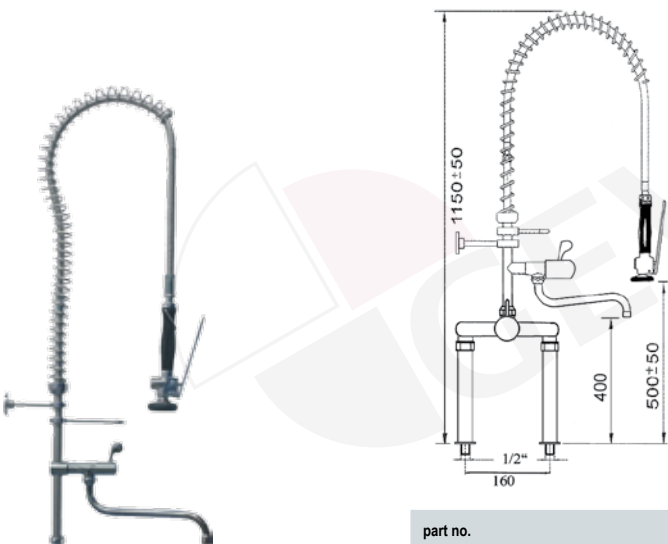
pre-rinse unit with single lever bridge tap and swivel tap



part no.	connection
547349	1/2"
547354	3/4"

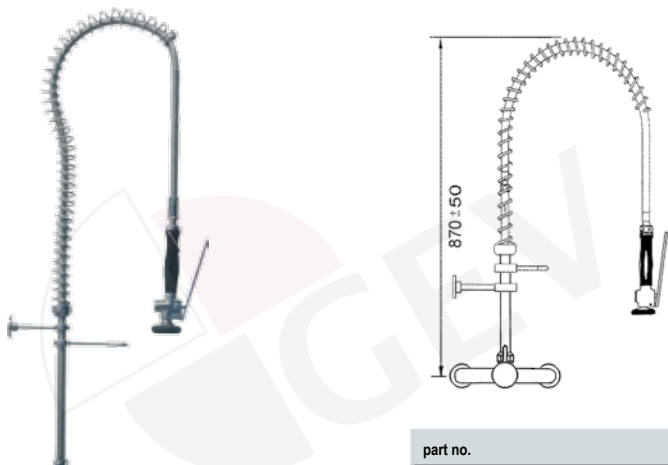


part no.	connection
547213	1/2"



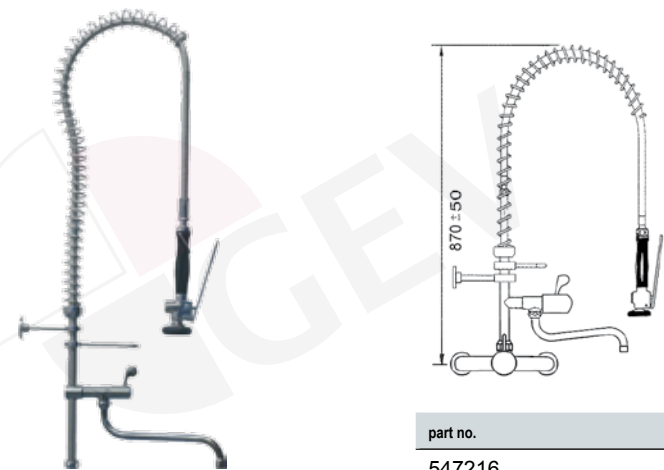
part no.	connection
547214	1/2"

pre-rinse unit with single lever wall-mounted water tap



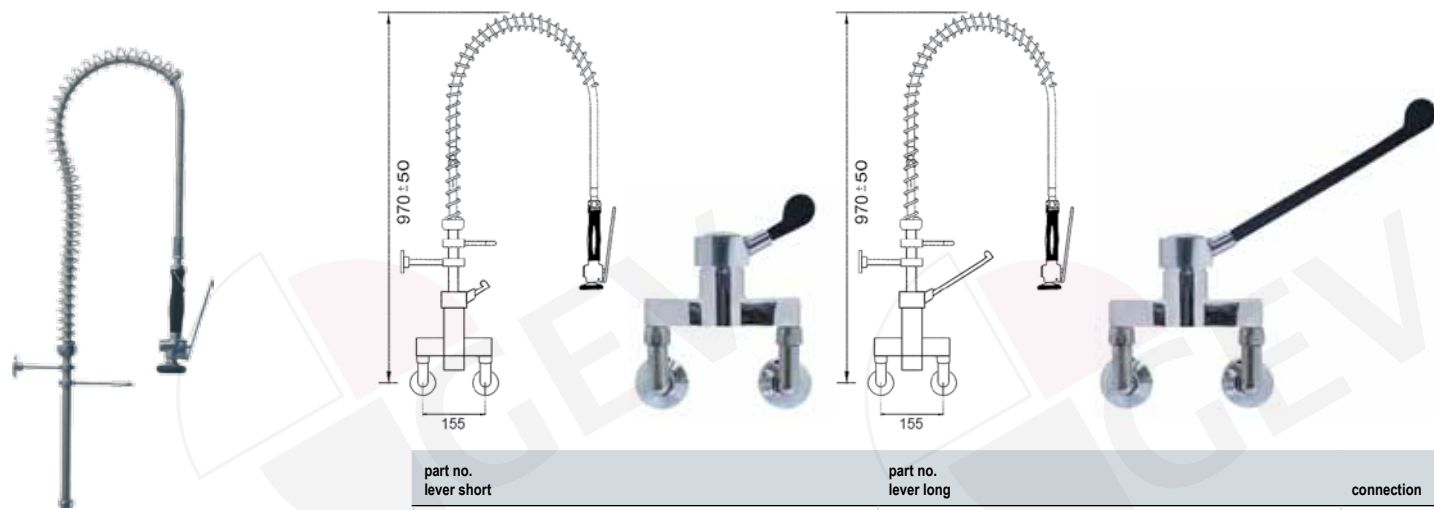
part no.	connection
547215	1/2"

pre-rinse unit with single lever wall-mounted water tap and swivel tap



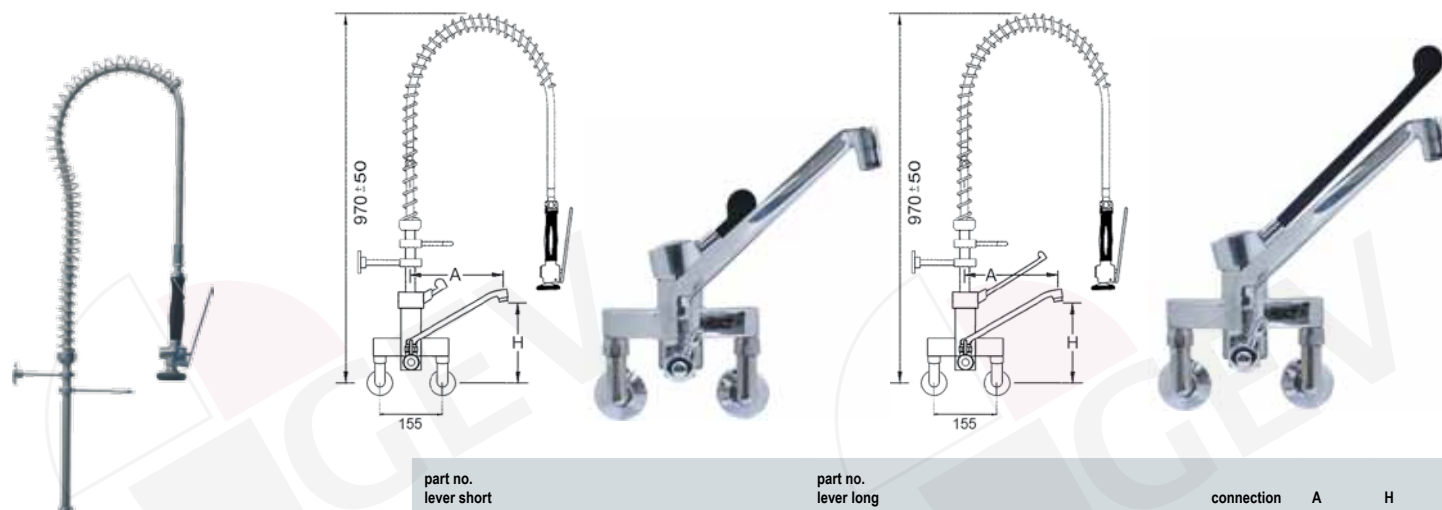
part no.	connection
547216	1/2"

pre-rinse unit with single lever wall-mounted water tap



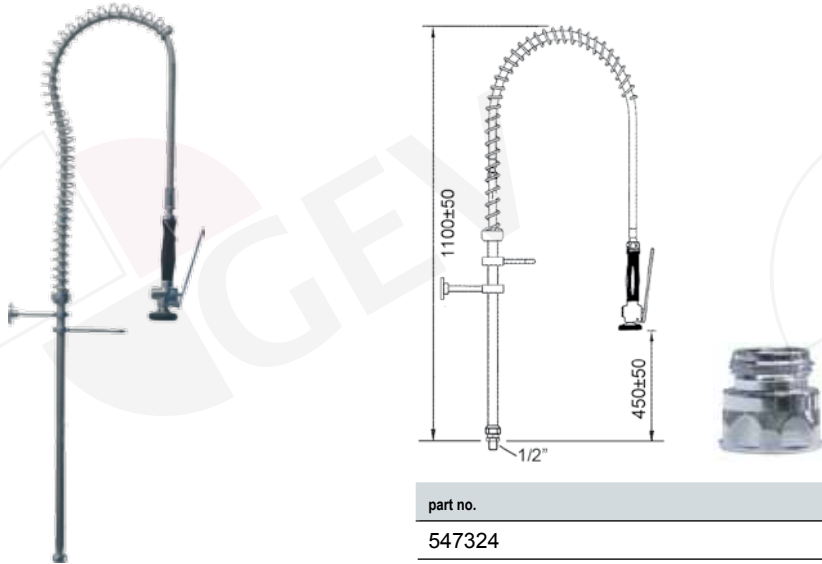
part no. lever short	part no. lever long	connection
547355	547356	1/2"

pre-rinse unit with single lever wall-mounted water tap and swivel tap



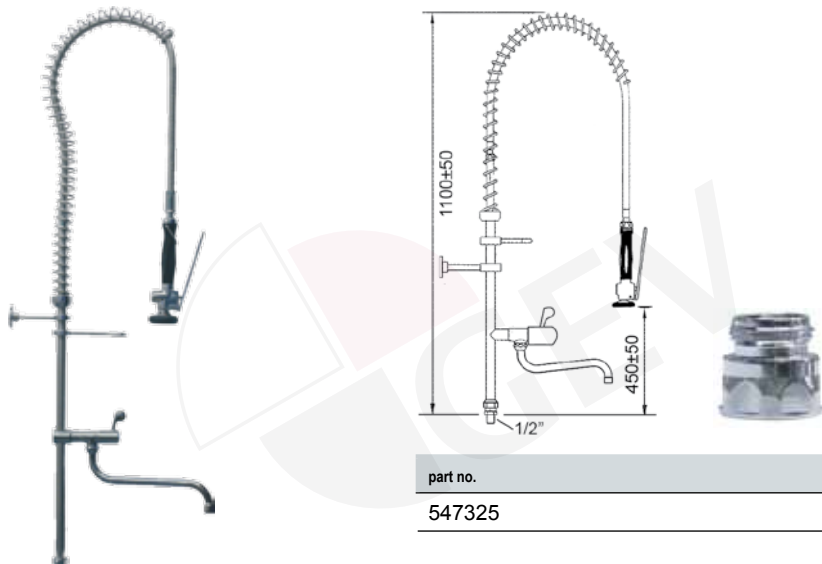
part no. lever short	part no. lever long	connection	A	H
547357	547359	1/2"	200	200
547358	547360	1/2"	250	240

pre-rinse unit without fitting, foot and knee operated pedals



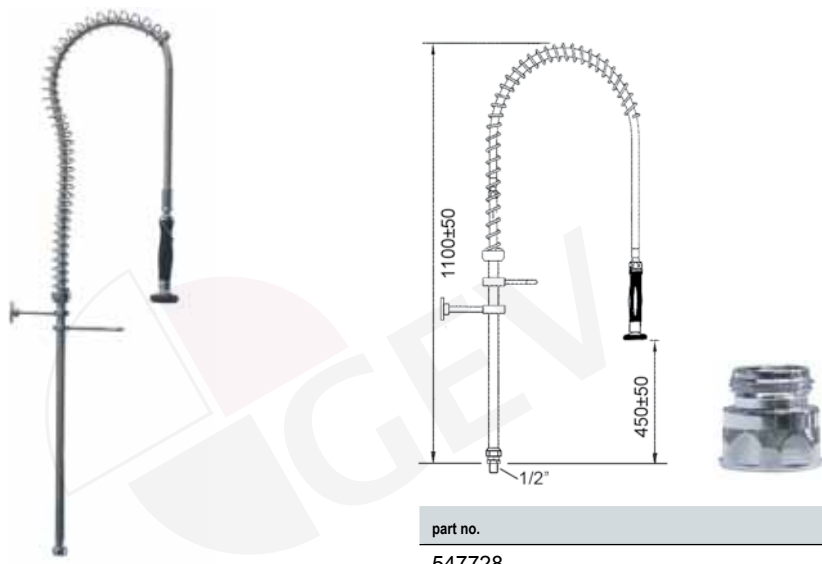
part no.	connection
547324	1/2"

pre-rinse unit without fitting, with swivel tap, foot and knee operated pedals



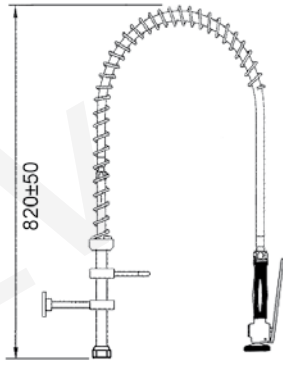
part no.	connection
547325	1/2"

pre-rinse unit without fitting, with spray gun without cut-off, foot and knee operated pedals

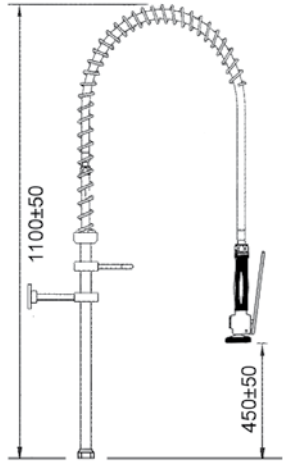


part no.	connection
547728	1/2"

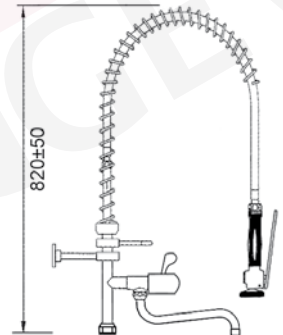
rinse assembly, without tap



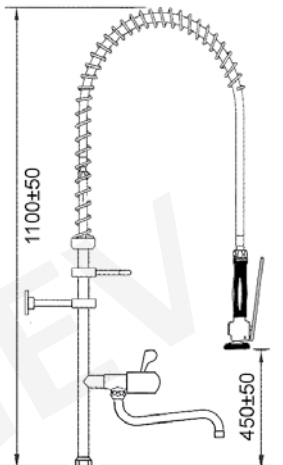
part no.	description
547321	rinse pipe assembly, short, without swivel tap



part no.	description
547320	rinse pipe assembly, long, without swivel tap

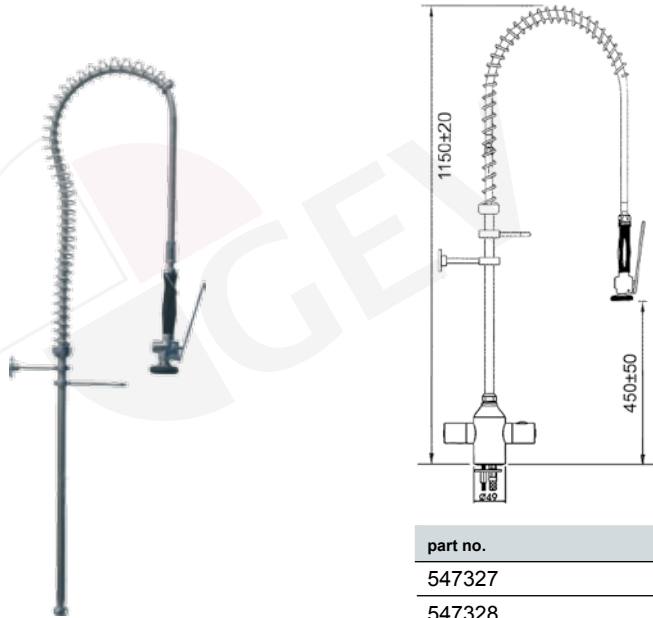


part no.	description
547323	rinse pipe assembly, short, with swivel tap



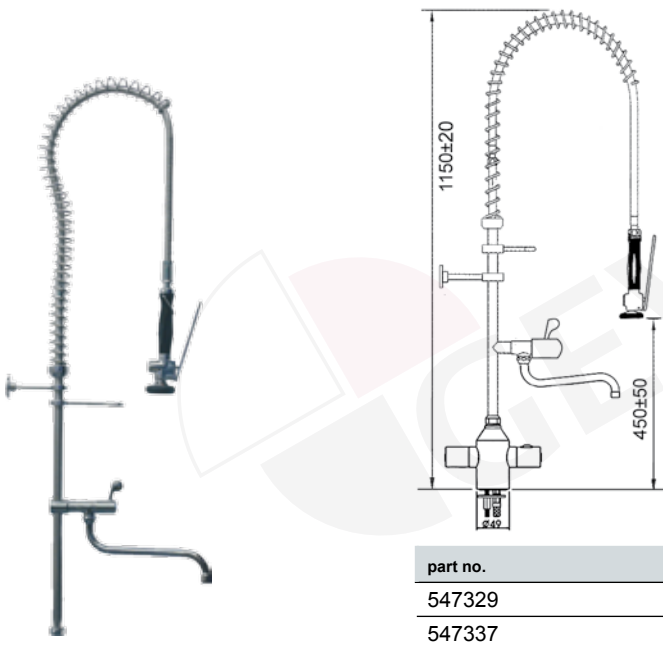
part no.	description
547322	rinse pipe assembly, long, with swivel tap

pre-rinse unit with thermostatic tap



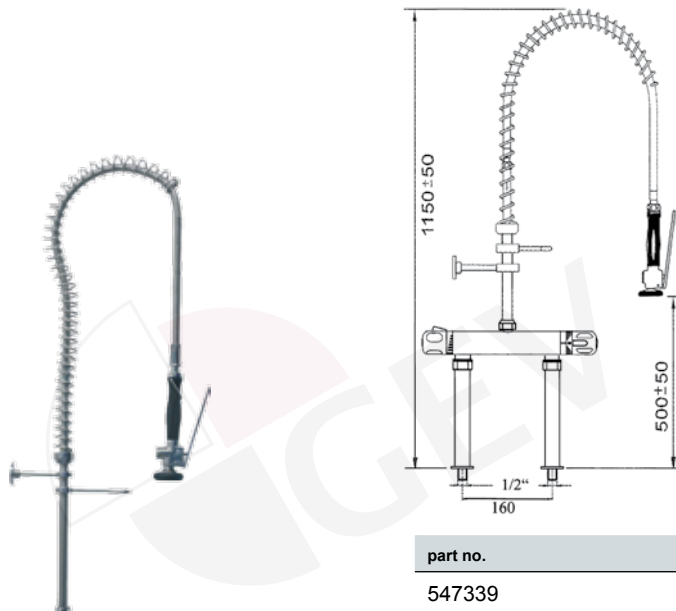
part no.	connection
547327	3/8"
547328	1/2"

pre-rinse unit with thermostatic tap and swivel tap with swivel tap



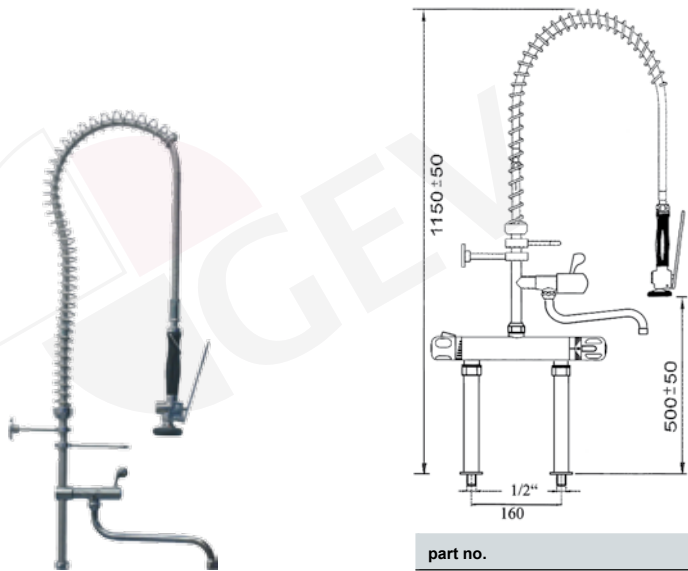
part no.	connection
547329	3/8"
547337	1/2"

pre-rinse unit with two hole thermostatic mixer



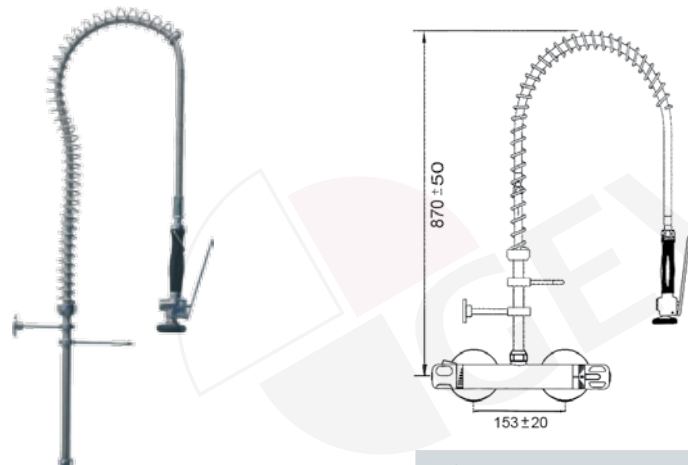
part no.	connection
547339	1/2"

pre-rinse unit with two hole thermostatic mixer with swivel tap

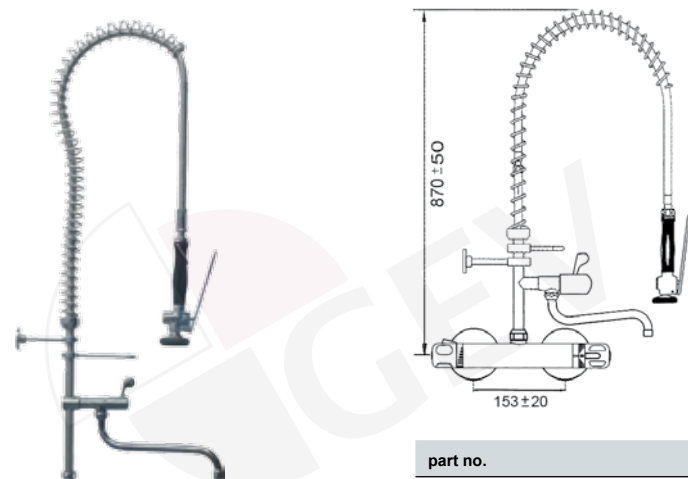


part no.	connection
547340	1/2"

pre-rinse unit with wall-mounted thermostatic tap



part no.	connection
547326	1/2"



part no.	connection
547338	1/2"